

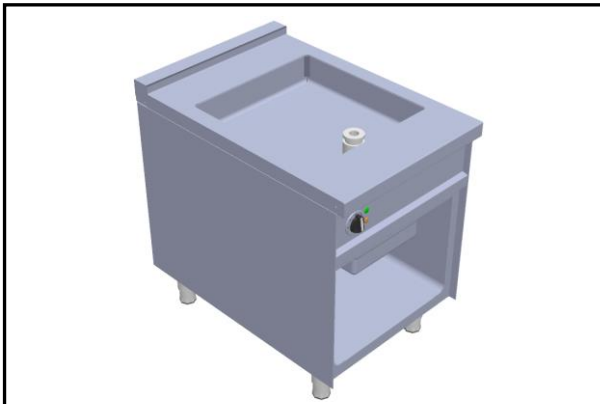


Total Food-Service Solutions

## Modular Cooking –Grandis 900

### Electric Griddle Pan

#### NEGP 6-90 GR



\*Due to routine technical improvement, the photograph shown may not represent the latest design of the products.

#### AVAILABLE MODEL

1. NEGP 6-90 GR

#### DESCRIPTION

Nayati Electric Griddle Pan with 6.5 kW power rate. Water temperature maintained by thermostat with maximum working temperature of 300°C.

Unit to be installed on open cabinet or similar elements, cantilever, or solid block solutions. Featuring removable clip joint to connect Grandis family product.

ITEM# : \_\_\_\_\_

MODEL# : \_\_\_\_\_

NAME : \_\_\_\_\_

SN : \_\_\_\_\_

#### MAIN FEATURE

- Single zones griddle pan with Steady State Surface (SSS) heating system.
- Plancha fry top for multipurpose cooking and easier transfer between cooking appliances.
- Uniform heating with 20 mm thick SS420.
- H2 Cabinet Finishing.
- Option of smooth, half grooved, full grooved or mirror finished griddle.

#### CONSTRUCTION

- All exterior panels in 304 type of Stainless Steel
- Orbital top panel anti-scratch finishing.
- Top with 2.0 mm thick surface.
- Side with 0.8 mm thick surface.
- Adjustable ±25 mm Stainless Steel leg.

#### INCLUDED ACCESSORIES

- Food Pan GN 1/1 X 100

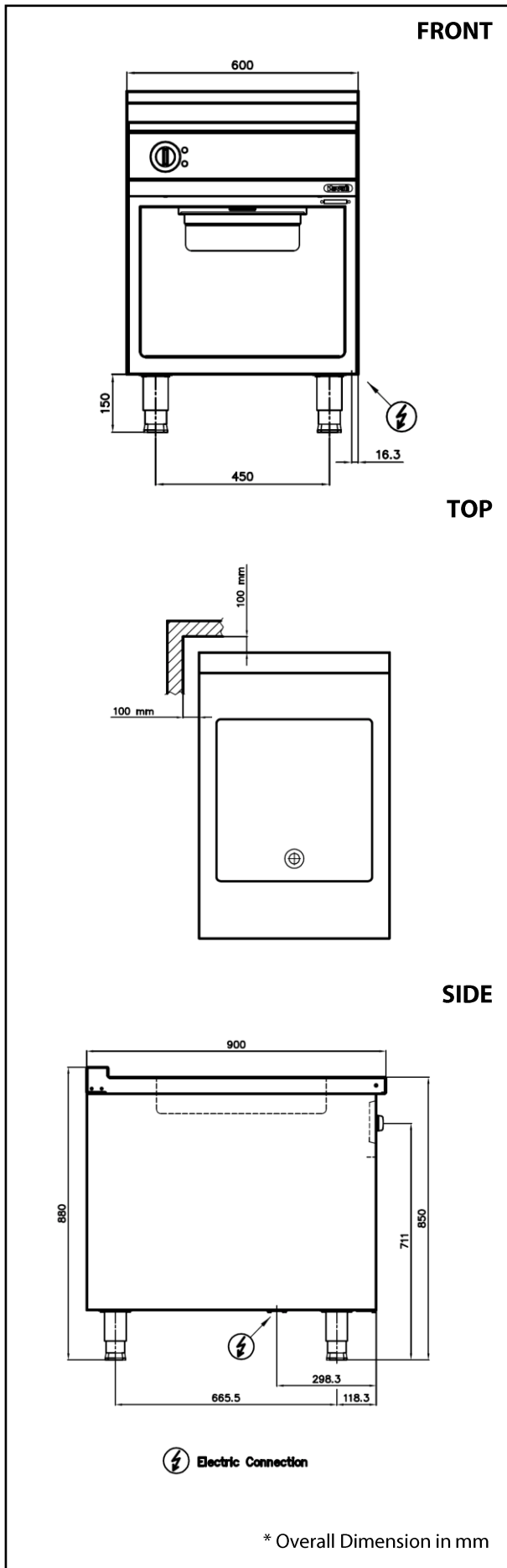
#### OPTIONAL ACCESSORIES

- Scraper.
- Clip Plate for Joining

\_\_\_\_\_

The company reserves the right to make modifications to the products without prior notice. All information correct at time of printing.  
2018.05.21





**ELECTRIC**

Electrical rating (kW)	:	6.5 kW
Element rating (kW)	:	6.5 kW
Electrical supply voltage	:	400V 3N
Required electrical supply (amps):		12
Electrical current split (amps) :		L1: 12
		L2: 12
		L3: 6.5

**KEY INFORMATION**

Cooking surface width	:	490 mm
Cooking surface depth	:	510 mm
Direct heat emission	:	2.14 kW
Latent heat emission	:	2.60 kW
Steam emission	:	3.82 kg / h
Min. working temperature	:	50°C
Max. working temperature	:	300°C
Net weight	:	102 kg
Shipping height	:	1020 mm
Shipping width	:	655 mm
Shipping depth	:	994 mm
Shipping volume	:	0.665 m <sup>3</sup>

\_\_\_\_\_

The company reserves the right to make modifications to the products without prior notice. All information correct at time of printing. 2018.05.21